

TACMOLLE

PRODUCT INSTALLATION MANUAL



19635

TACMOLLE



1. Open the lock cover on top of the storage box.



2. Insert the key (both keys can be used).



3. Turn 90 degrees clockwise to unlock.



4. Unlock both locks.

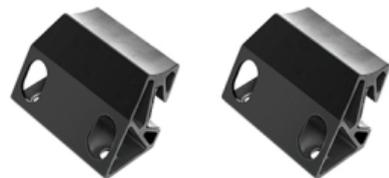


5. Open the storage box.



6. Remove the installation accessories.

PACKAGE INCLUDED



①



②



③ (REMOVE FROM ②)

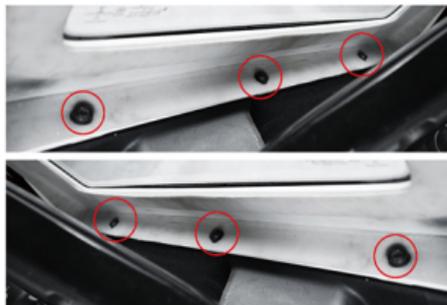


④ (BUILT-IN)

INSTALLATION INSTRUCTIONS



1. Place the storage box on a soft cushion and gather the required tools.



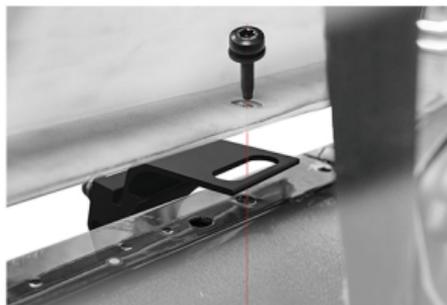
2. Remove the six screws from both sides of the rear roof.



3. Slightly lift the roof.



4. Place ② between the roof and the body, and secure it with the original screws.



5. As shown, use the original screws to attach ② to the mounting holes on the roof and body.
Note: All holes should align.



6. Gently tighten the screws without fully securing. Repeat for the other ②.

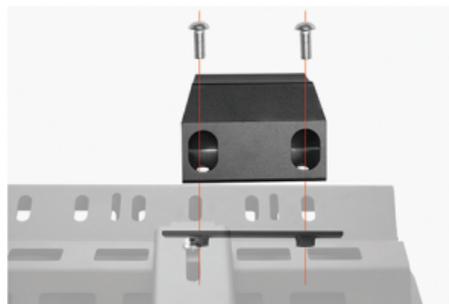
INSTALLATION INSTRUCTIONS



7. Remove ③ along with the screws from ② and set aside.



8. Unscrew the top screws from the storage box.



9. As shown, connect screws to ① and built-in ④, matching the corresponding holes, but do not fully tighten.

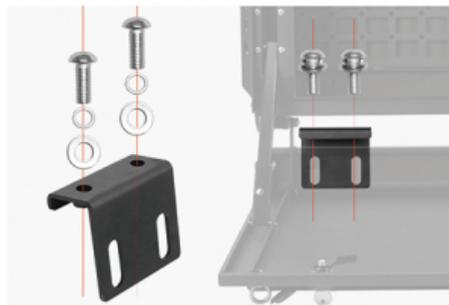
Note: Ensure the side with the nuts faces down and the smooth side faces up.



10. Installation result as shown.



11. Repeat the same step for the other ①.



12. Open the storage box, remove the screws from ③. Attach ③ to the storage box's bottom holes as shown, but do not fully tighten.

INSTALLATION INSTRUCTIONS



13. Installation result as shown. Ensure the hooks face forward and the smooth side faces backward.



14. Once ① and ② are secured, prepare to install the storage box.



15. Hang the storage box on the rain gutter.



16. Adjust the position of the storage box by moving it left or right until it is in the optimal position.



17. Check if the bottom holes of ③ align with ②. If not, slightly lift the roof and adjust ② laterally until the holes align.
Note: Do not move the storage box.



18. Use the screws provided with ② to fully secure it.

INSTALLATION INSTRUCTIONS



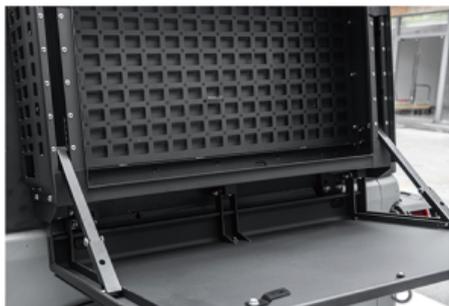
19. Repeat the same step to tighten the screws on the other side.



20. Tighten the interior roof screws.



21. Tighten the screws on top of the storage box.



22. Open the storage box.



23. Tighten the screws on the bottom of the storage box.



24. Firmly shake the storage box to ensure proper installation.

INSTALLATION INSTRUCTIONS



1. Open the lid of the storage box and move the support hinge to the corresponding slot according to the desired angle of the worktable.



2. Adjust the worktable to the appropriate angle to ensure items won't fall off.

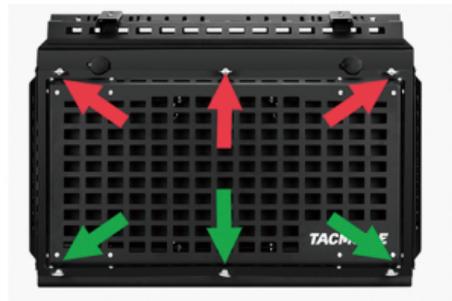


3. Demonstration of the open worktable



4. Lift up the two folding support hinges to fold up the worktable.

DETACHABLE TABLE USER GUIDE



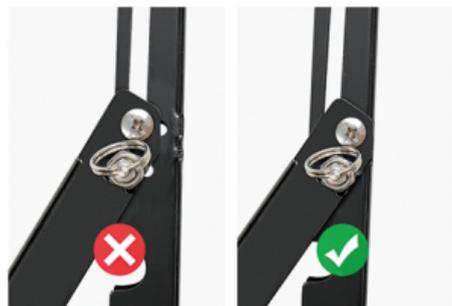
1. First, loosen the three screws at the bottom (indicated by the green arrows) without completely unscrewing them. Then unscrew the three screws at the top (indicated by the red arrows).



2. Lift the table upwards and remove it.



3. To open the table legs, pull the round ring latch while lifting the legs.



4. Note: After lifting the legs, make sure the heels are securely locked into the "L"-shaped slot (see the right picture).



5. Table in the open state.



6. To close the table legs, pull the round ring latch while pushing the legs backward to release the wheels from the "L"-shaped slot. Then push the legs forward. Release the round ring latch when the legs are fully closed.

PRODUCT DEMONSTRATION



PRODUCT DEMONSTRATION



TACMOLLE